

Floyd Rose Tremolo Kits & Parts



Floyd Rose®



Floyd Rose Marketing

Exclusive distributor of Floyd Rose products

**Local : 732.918-7001
By Fax: 732.918-7002
By Email: info@floydrose.com**

By U.S. Mail:

**Floyd Rose Marketing, Inc.
P.O.Box 601
Oakhurst, NJ 07755**

COMPLETE BRIDGE KITS

Original Floyd Rose Tremolo Kit

The Floyd Rose Tremolo System is used by more professionals throughout the world than any other. No copy can duplicate the patented double-locking design of the Floyd Rose Tremolo System that allows you to lock your guitar in tune at the nut and at the bridge. The Floyd Rose Tremolo System is engineered like no other tremolo system. Its high quality steel parts are manufactured to exacting specifications. And it's available in a variety of nut sizes that will fit practically any electric guitar.

This kit contains the Original Floyd Rose Tremolo bridge, locking nut, springs, pivot screws, and all hardware necessary for installation.

For nut size information and specifications, please refer to the Technical Appendix at the end of the catalog.

Available in chrome, black and gold.

Item Number / Finish

FRT-100 chrome

FRT-200 black

FRT-300 gold



Complete kit in gold



Close-up view in chrome



Close-up view in black

Original Floyd Rose Tremolo Kit - Left Handed

The Floyd Rose Tremolo System is used by more professionals throughout the world than any other. No copy can duplicate the patented double-locking design of the Floyd Rose Tremolo System that allows you to lock your guitar in tune at the nut and at the bridge. The Floyd Rose Tremolo System is engineered like no other tremolo system. Its high quality steel parts are manufactured to exacting specifications. And it's available in a variety of nut sizes that will fit practically any electric guitar.

This kit contains the Original Floyd Rose Tremolo bridge in a left-handed configuration, locking nut, springs, pivot screws, and all hardware necessary for installation.

For nut size information and specifications, please refer to the Technical Appendix at the end of the catalog.

Available in chrome, black and gold.

Item Number / Finish

FRT-100L chrome

FRT-200L black

FRT-300L gold



Complete kit in chrome



Close-up view in chrome

Original Floyd Rose Tremolo Kit - Seven String

This kit contains the Original Floyd Rose 7-String Tremolo bridge, Locking nut, Springs, Machine Stud Pivot Screws, and all hardware necessary for installation.

The Floyd Rose Tremolo System is used by more professionals throughout the world than any other. No copy can duplicate the patented double-locking design of the Floyd Rose Tremolo System that allows you to lock your guitar in tune at the nut and at the bridge. The Floyd Rose Tremolo System is engineered like no other tremolo system. Its high quality steel parts are manufactured to exacting specifications. And it's available in a variety of nut sizes that will fit practically any electric guitar.

Available in chrome, black and gold.

Item Number / Finish

FRT-S100 chrome

FRT-S200 black

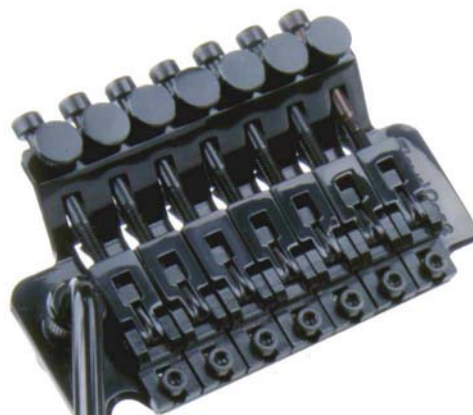
FRT-S300 gold



Complete kit in gold



Close-up view in chrome



Close-up view in black

Floyd Rose Pro Kit

The Floyd Rose Tremolo System is used by more professionals throughout the world than any other. No copy can duplicate the patented double-locking design of the Floyd Rose Tremolo System that allows you to lock your guitar in tune at the nut and at the bridge. The Floyd Rose Tremolo System is engineered like no other tremolo system. Its high quality steel parts are manufactured to exacting specifications. And it's available in a variety of nut sizes that will fit practically any electric guitar.

This kit contains the Original Floyd Rose Pro tremolo bridge, locking nut, springs, pivot screws, and all hardware necessary for installation.

For nut size information and specifications, please refer to the Technical Appendix at the end of the catalog.

Available in chrome, black and gold.

Item Number / Finish

FRT-P100 chrome

FRT-P200 black

FRT-P300 gold



Complete kit in black



Close-up view in chrome



Close-up view in gold

Floyd Rose Speedloader Bridge

The Speed-Loader Tremolo offers all the versatility of the original Floyd Rose Tremolo™ with the ease and performance of the Speed-Loader System. You can still execute the most subtle tremolo or wildest dive-bombing effects and return to perfect tuning every time. The Speed-Loader tremolo also features the new Floyd Rose Trem-Stopper that enables the player to block the tremolo system with a simple turn of a screw

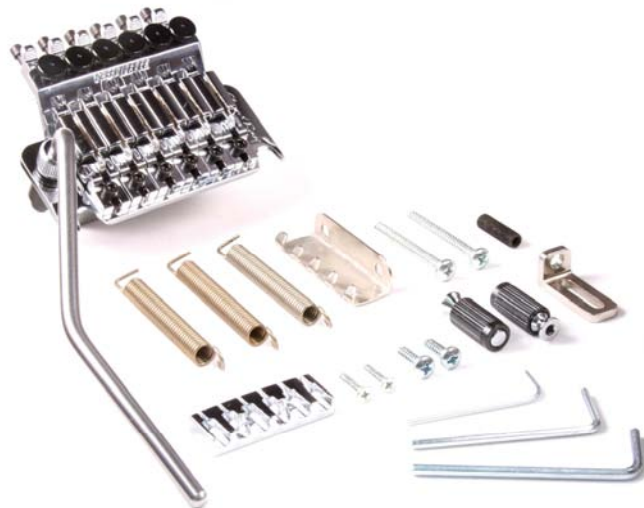
Available in chrome, black and gold.

Available in the 9.5", 12.0" and 17.0" nut width/radius:

SL2R Black, 09.5" Radius
SL2R Black, 12.0" Radius
SL2R Black, 17.0" Radius
SL3R Gold, 09.5" Radius
SL3R Gold, 12.0" Radius
SL3R Gold, 17.0" Radius
SL5R WHAT COLOR? 12.0" Radius
SL5R WHAT COLOR? 17.0" Radius

Item Number / Finish

FRT-SL100 chrome
FRT-SL200 black
FRT-SL300 gold



Complete kit in chrome



Close-up view in chrome



Close-up view in gold

Floyd Rose "Special" Bridge Kit

The Floyd Rose Special is our Authentic version of a licensed Floyd Rose tremolo system manufactured in Korea exclusively for Floyd Rose. The Floyd Rose Special maintains the construction parameters and features of an Original Floyd Rose, while utilizing zinc alloy saddles in place of steel and a zinc alloy sustain block in place of brass. The design specifications and high quality materials of the Special Series Floyd Rose bridge will hold up to the demands of today's performers.

Available in chrome, black, gold, satin chrome, satin black, satin gold, nickel, black nickel, antique silver, antique bronze.

Item Number / Finish

- FRT-S1000 chrome
- FRT-S2000 black
- FRT-S3000 gold
- FRT-S1000s satin chrome
- FRT-S2000s satin black
- FRT-S3000s satin gold
- FRT-S4000 nickel
- FRT-S5000 black nickel
- FRT-S6000 antique silver
- FRT-S7000 antique bronze



Complete kit in chrome



FRT-S1000s satin chrome



FRT-S3000 gold



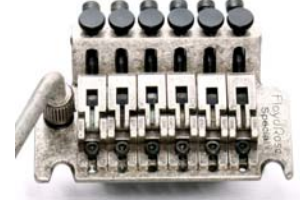
FRT-S5000 black nickel



FRT-S2000 black



FRT-S3000s satin gold



FRT-S6000 antique silver



FRT-S2000s satin black



FRT-S4000 nickel



FRT-S7000 antique bronze

Floyd Rose Screws

Fine Tuning Screws (K)

Available in sets of 6 or 7.

Item Number / Quantity

FRO-FTS/B - Set of 6

FRO-FTS7- Set of 7



Fine Tuning Screws (K) - Brass - Set of 6

Item Number

FRO-FTS/BR



Mounting Stud Machine Style (D) - Set of 2

Available in chrome, black and gold.

Item Number / Finish

FR-BMMS/C - Chrome

FR-BMMS/B- Black

FR-BMMS/G - Gold



Mounting Stud Wood Screw Type (F) - Set of 2

Screw-in Lag Style Pivots for Floyd Rose Tremolo Systems.

Available in chrome, black and gold.

Item Number / Finish

FR-BMWSS/C - Chrome

FR-BMWSS/B - Black

FR-BMWSS/G - Gold



Saddle Mounting Screws (M) - Black

Available in sets of 6 or 7.

Item Number / Quantity

FRO-SMS/B - Set of 6

FRO-SMS/B7 - Set of 7



Saddle Mounting Screws (M) - Stainless Steel - Set of 6

Item Number

FRO-SMS/SS - Set of 6



Saddle Mounting Screws (M) - Pro - Set of 6

Item Number

NEED ITEM NUMBER



Saddle Mounting Screws (M) - Pro - Stainless Steel - Set of 6

Item Number

NEED ITEM NUMBER



String Lock Screws (L)

Available in sets of 6 or 7.

Item Number / Quantity

FRO-FTS/B - Set of 6

FRO-FTS7- Set of 7



String Lock Screws (L) - Stainless Steel

Available in sets of 6 or 7.

Item Number / Quantity

FRO-SLS/SS - Set of 6

FRO-SLS/SS - Set of 7



String Lock Screws Pro (L) - Set of 6

Item Number

FRO-SLS6



Tremolo Block Mounting Screws (R) - Set of 3

Item Number

FRO-TBMS



Saddles & Inserts

String Lock Inserts (N) - Single

Item Number
FRO-SLI/B1



String Lock Inserts (N)

Available in sets of 6 or 7.

Item Number / Quantity
FRO-SLI/B6 - Set of 6
FRO-SLI/B7 - Set of 7



String Lock Inserts Pro (N) - Set of 6

Item Number
FRO-SLI/B6



Saddle Assembly (A,B,C)

Available in chrome, black and gold.

Item Number / Finish
FRO-BSS/C - Chrome
FRO-BSS/B - Black
FRO-BSS/G - Gold



Individual saddles

Shims & Plates

Tremolo Block Shim (S)

Item Number
FR-TBS



Tremolo Block Shim (S) - Pro

Item Number
NEED ITEM NUMBER



Fine Tuner Tension Plate (T)

Item Number
FRO-FTTP



Fine Tuner Tension Plate - Pro

Item Number
FRP-FTTP



Tremolo Base Plate (X)

Available in chrome, black and gold.

Item Number / Finish

FR-TBP/C - Chrome

FR-TBP/B - Black

FR-TBP/G - Gold



Top view in chrome



Bottom view in black



Top view in gold

Sustain Blocks

Sustain Block (O, P, Q)

Nickel plated brass sustain block for Original Floyd Rose Tremolo system.

Available in 32mm, 35mm, 37mm and 42mm..

Item Number / Size

FR-TB/32 mm
FR-TB/35 mm
FR-TB/37 mm
FR-TB/42 mm



Sustain Block (O, P, Q) - Pro

Nickel plated brass sustain block for Floyd Rose Pro Tremolo system.

Available in 35mm, 37mm and 42mm..

Item Number / Size

FRP-TB/32 mm
FRP-TB/35 mm
FRP-TB/37 mm
FRP-TB/42 mm



Fat Brass Block

This "Fat" brass big block will add mass and sustain to your Floyd Rose bridge along with the tonal qualities of brass. They are available in 32, 37, and 42 mm heights. Width is 50.15 mm and thickness is 12.90 mm. The stock sustain block is ~ 8.0 mm.

Since this block is larger than a conventional sustain block, it can also limit upward travel of the tremolo and can be set to rest against the body in a blocked bridge configuration. For floating bridge setup this block may require some routing in the spring cavity.

Item Number

RG-FBB/32 mm
RG-FBB/37 mm
RG-FBB/42 mm



Sustain Block (O, P, Q) - Tungsten

Our exclusive tungsten sustain blocks for Floyd Rose tremolo bridges offer the highest density available in a block that conforms to the original size specifications of your Floyd Rose bridge. When it comes to sustain, the single most important property of a metal is density followed by hardness. Tungsten is over 4 times denser than titanium and more than twice as dense as brass. To equal the mass of our tungsten sustain block, you would need a titanium block 4 times the size and a brass block double the dimensions of our tungsten block. Most standard tremolo spring cavities simply aren't large enough to accommodate bulky sustain blocks sold by other companies. Ours is a direct replacement for the stock sustain block adding up to a half pound of mass to your bridge.

Why are density and mass important to sound and sustain?
A fixed guitar bridge efficiently transmits string vibration from the bridge to the body through a large contact area but tremolo bridges are limited by a few very small attachment points. A great deal of resonance is lost to the bridge through the tremolo springs because the springs absorb and dissipate vibration very well. This is one of the reasons expensive studio microphones are suspended by springs to isolate external vibrations. A high density sustain block means greater mass which means less string vibration transmitted to the springs and more in the bridge where it belongs. Soft metals absorb sound and cancel sustain. Tungsten is much harder than steel and titanium and over twice as hard as brass. No other sustain block offers the perfect combination of mass and hardness.

With our tungsten sustain block, every note will be brighter with a noticeable increase in clarity and sustain.

Available in 32mm, 37mm and 42mm..

Item Number / Size

RG TuB 32 - 32mm

RG TuB 37 - 37mm

RG TuB 42 - 42mm



Tremolo Arms & Housings



Tremolo Arm Assembly (G) New Style

Available in chrome, black and gold.

Item Number / Finish

FR-TA/C - Chrome

FR-TA/B - Black

FR-TA/G - Gold



Tremolo Arm Assembly (G) New Style - Left handed

Available in chrome, black and gold.

Item Number / Finish

FR-TA/C-L - Chrome

FR-TA/C-B - Black

FR-TA/C-G - Bold



Tremolo Arm Assembly (G) Old Style

Available in chrome, black and gold.

Item Number / Finish

FR-TA/C-OS - Chrome

FR-TA/B-OS - Black

FR-TA/G-OS - Bold



Tremolo Arm Assembly (G) Old Style-Left Handed

Available in chrome, black and gold.

Item Number / Finish

FR-TA/C-OS-L - Chrome

FR-TA/B-OS-L - Black

FR-TA/G-OS-L - Bold



Tremolo Arm Housing (H)

Item Number
FR-TAH



Tremolo Spring (W) Set of Three

Item Number
FR-TS



Floyd Rose Locking Nuts

Complete Locking Nut Assembly for Original Floyd Rose Tremolo Systems. These will also work with non-Floyd Rose and Licensed Floyd Rose Tremolo Systems. Please see Dimension Chart at the end of this catalog for assistance in selecting the proper size for your guitar.

Available in nut sizes R1, R2, R3, R4, R5, R6, R7, R8, R9, R10.

Available in chrome, black and gold.

Available in regular and left-handed versions.



Regular

Item Numbers (by nut size and finish)

	Chrome	Black	Gold
R1	FR-NR1/C	FR-NR1/B	FR-NR1/G
R2	FR-NR2/C	FR-NR2/B	FR-NR2/G
R3	FR-NR3/C	FR-NR3/B	FR-NR3/G
R4	FR-NR4/C	FR-NR4/B	FR-NR4/G
R5	FR-NR5/C	FR-NR5/B	FR-NR5/G
R6	FR-NR6/C	FR-NR6/B	FR-NR6/G
R7	FR-NR7/C	FR-NR7/B	FR-NR7/G
R8	FR-NR8/C	FR-NR8/B	FR-NR8/G
R9	FR-NR9/C	FR-NR9/B	FR-NR9/G
R10	FR-NR10/C	FR-NR10/B	FR-NR10/G

Left-Handed

Item Numbers (by nut size and finish)

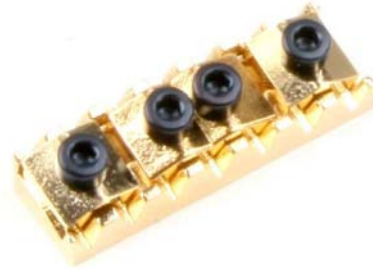
	Chrome	Black	Gold
R1	FR-NL1/C	FR-NL1/B	FR-NL1/G
R2	FR-NL2/C	FR-NL2/B	FR-NL2/G
R3	FR-NL3/C	FR-NL3/B	FR-NL3/G
R4	FR-NL4/C	FR-NL4/B	FR-NL4/G
R5	FR-NL5/C	FR-NL5/B	FR-NL5/G
R6	FR-NL6/C	FR-NL6/B	FR-NL6/G
R7	FR-NL7/C	FR-NL7/B	FR-NL7/G
R8	FR-NL8/C	FR-NL8/B	FR-NL8/G
R9	FR-NL9/C	FR-NL9/B	FR-NL9/G
R10	FR-NL10/C	FR-NL10/B	FR-NL10/G

Seven String Locking Nut

Available in chrome, black and gold.

Item Number / Finish

FR7-NR/C	Chrome
FR7-NR/B	Black
FR7-NR/G	Gold
FR7-NR/BN	Black Nickel



Floyd Rose Speedloader Nut

Complete Locking Nut Assembly for Floyd Rose Speedloader Tremolo System.

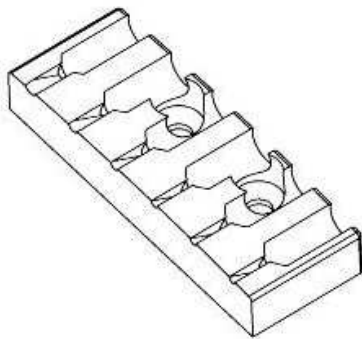
Available in nut sizes SL-2R, SL-3R and SL-5R.

Available in 9.5", 12" and 17" nut radius.

Available in chrome, black and gold.

Item Numbers (by nut radius and finish)

	Chrome	Black	Gold
SL2 9.5"	SL2-9R/C	SL2-9R/B	SL2-9R/G
SL2 12"	SL2-12R/C	SL2-12R/B	SL2-12R/G
SL2 17"	SL2-17R/C	SL2-17R/B	SL2-17R/G
SL3 9.5"	SL3-9R/C	SL3-9R/B	SL3-9R/G
SL3 12"	SL3-12R/C	SL3-12R/B	SL3-12R/G
SL3 17"	SL3-17R/C	SL3-17R/B	SL3-17R/G
SL5 12"	SL5-12R/C	SL5-12R/B	SL5-12R/G
SL5 17"	SL5-17R/C	SL5-17R/B	SL5-17R/G



Nut SL#2-R

SpeedLoader nut 1.650in/41.90mm width
 9.5" Radius/241.3mm
 12.0" Radius/304.8mm
 17.0" Radius/431.8mm

Nut SL# 3-R

SpeedLoader nut 1.6875in/42.86mm width
 9.5" Radius/241.3mm
 12.0" Radius/304.8mm
 17.0" Radius/431.8mm

Nut SL# 5-R

SpeedLoader nut 1.750in/44.45mm width
 12.0" Radius/304.8mm
 17.0" Radius/431.8mm

Floyd Rose Locking Nut Components

Nut Mounting Screws - Top Mount - Set of 2

These screws are used to attach the locking nut to the neck using top mount installation configuration.

Available in chrome, black and gold.

Item Number / Finish

FR-NMST/C - Chrome

FR-NMST/B - Black

FR-NMST/G - Gold



Nut Shims

Available in .01mm, .02mm and .03mm.

Item Number / Size

FR-NS01 - .01mm

FR-NS02 - .02mm

FR-NS03 - .03mm



Floyd Rose Clamping Blocks - Set of 3

Available in chrome, black and gold.

Item Number / Finish

FR-NCB/C - Chrome

FR-NCB/B - Black

FR-NCB/G - Gold



Related Parts & Tools

Tremolo Stop Assembly (X)

Floyd Rose® original Trem Stop. The quick way to keep your "floating" trem in tune and in control. Easy installation and easy adjustments! Comes with 2 mounting screws.



Item Number
TS40

String Retainer Bar

Available in chrome, black and gold.

Item Number / Finish
FR-SR/C - Chrome
FR-SR/B - Black
FR-SR/G - Gold



Strings for Floyd Rose Speedloader Tremolo Systems

Item Number
FR-SLS

SLS1008-LGPK 08-38 SET PACKAGED 25.5 SCALE LENGTH
SLS1008-SHPK 08-38 SET PACKAGED 24.75 SCALE LENGTH
SLS1009-LGPK 09-42 SET PACKAGED 25.5 SCALE LENGTH
SLS1009-SHPK 09-42 SET PACKAGED 24.75 SCALE LENGTH
SLS1010-LGPK 10-46 SET PACKAGED 25.5 SCALE LENGTH
SLS1010-SHPK 10-46 SET PACKAGED 24.75 SCALE LENGTH
SLS1011-LGPK 11-52 SET PACKAGED 25.5 SCALE LENGTH
SLS1011-SHPK 11-52 SET PACKAGED 24.75 SCALE LENGTH
SLS1012-LGPK 12-54 SET PACKAGED 25.5 SCALE LENGTH
SLS1012-SHPK 12-54 SET PACKAGED 24.75 SCALE LENGTH
SLS1013-LGPK 13-56 SET PACKAGED 25.5 SCALE LENGTH
SLS1013-SHPK 13-56 SET PACKAGED 24.75 SCALE LENGTH

LIGHT TO HEAVY BOTTOM

SLS1009LH-LGPK 09-46 SET PACKAGED 25.5 SCALE LENGTH
SLS1009LH-SHPK 09-46 SET PACKAGED 24.75 SCALE LENGTH
SLS1010LH-LGPK 10-52 SET PACKAGED 25.5 SCALE LENGTH
SLS1010LH-SHPK 10-52 SET PACKAGED 24.75 SCALE LENGTH



H.I.P. Tool™ & Align Tool

The original H.I.P. Tool™ tool set (U.S. Patent 5,686,681) enables easy removal of new or used string clamping saddle inserts for O.E.M. Floyd Rose double locking tremolo bridges and many versions of Floyd Rose licensed double locking tremolo bridges. The Align Tool also works well for removing difficult heavy gauge cut or broken string ends when restringing the guitar.



Item Number
HT-100

The Key

The Key makes intonating an Original Floyd Rose® tremolo easy and precise. Simply slip the Key into place over the string lock screw, loosen the saddle mounting screw, and enjoy fingertip control of the saddle position for accurate intonation.

Item Number
RG-KEY/IT



Schaller Adjustable Claw

Item Number
FR-SC



Allen Wrench Holder

Holds two hex wrenches (included) in one convenient place on the back of the guitar headstock. Easy to remove wrench holders let you remove and return your hex keys without the need for tools or knobs.

Available in chrome, black, gold, satin chrome, satin black, satin gold, nickel, black nickel, antique silver, antique bronze. (Photo shows chrome, black, gold, and satin chrome. Please see Floyd Rose Special Bridge Kit for illustrations of all finishes.)

Item Number / Finish

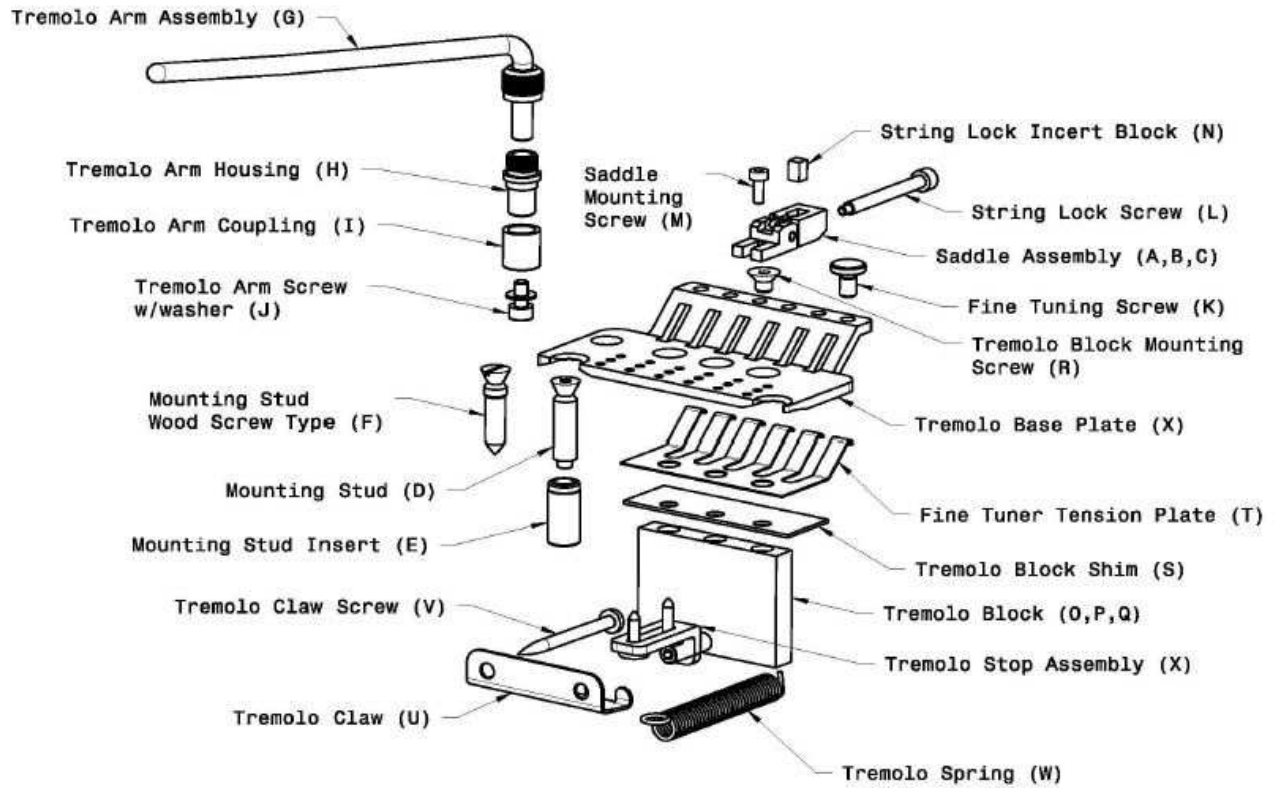
RG-AWH10 chrome
RG-AWH20 black
RG-AWH30 gold
RG-AWH10/S satin chrome
RG-AWH20/S satin black
RG-AWH30/S satin gold
RG-AWH40 nickel
RG-AWH50 black nickel
RG-AWH60 antique silver
RG-AWH70 antique bronze



TECHNICAL APPENDIX
NUT SPECIFICATION CHART

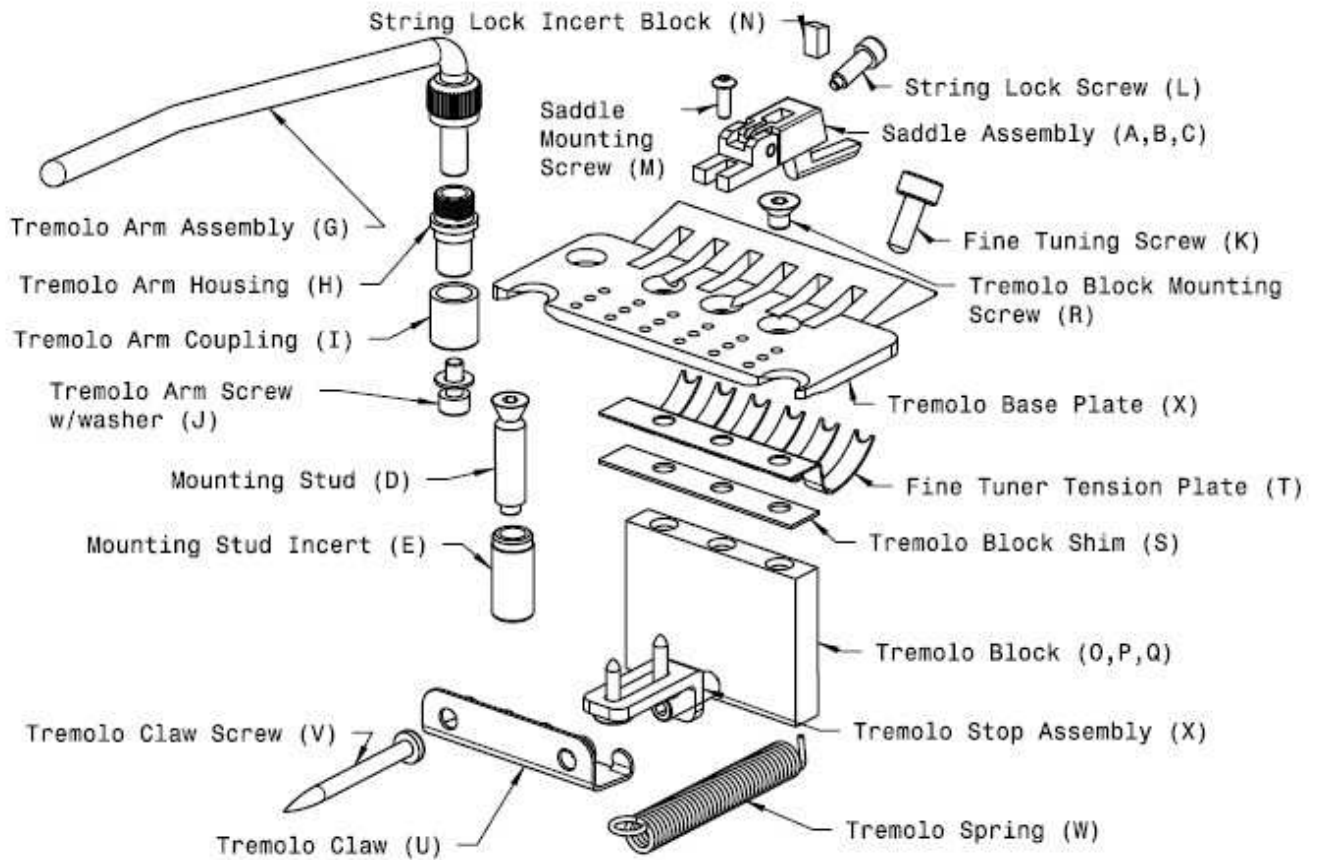
NUT #	WIDTH	RADIUS	HEIGHT @ D	E-E CENTER WIDTH	STRING SPACING	BULLET RECESS
1	1.5625"	10"	.235"	1.309"	.2398"	NO
1	39.70 mm	254 mm	6.00 mm	33.25 mm	6.10 mm	NO
2	1.625"	10"	.230"	1.371"	.2502"	NO
2	41.30 mm	254 mm	5.85 mm	34.80 mm	6.35 mm	NO
3	1.6875"	12"	.278"	1.4155"	.2591"	NO
3	42.85 mm	304.8 mm	7.10 mm	35.95 mm	6.60 mm	NO
4	1.6875"	10"	.278"	1.4355"	.2631"	NO
4	42.85 mm	254 mm	7.10mm	36.45 mm	6.70 mm	NO
5	1.750"	10"	.280"	1.491"	.2736"	NO
5	44.45 mm	254 mm	7.10 mm	37.90 mm	6.95 mm	NO
6	1.5625"	10"	.235"	1.309"	.2398"	YES
6	39.70 mm	254 mm	6.00 mm	33.25 mm	6.10 mm	YES
7	1.625"	10"	.230"	1.371"	.2502"	YES
7	41.30 mm	254 mm	5.85 mm	34.80 mm	6.35 mm	YES
8	1.6875"	10"	.225"	1.4355"	.2631"	NO
8	42.85 mm	254 mm	5.70 mm	36.45 mm	6.70 mm	NO
9	1.6875"	10"	.225"	1.4355"	.2631"	YES
9	42.85 mm	254 mm	5.70 mm	36.45 mm	6.70 mm	YES
10	1.6875"	15"	.240"	1.4355"	.2631"	NO
10	42.85 mm	381 mm	6.10 mm	36.45 mm	6.70 mm	NO
7STRING	1.875"	15"	.248	B-E 1.633	.2436	NO
7STRING	47.60 mm	381 mm	6.30 mm	B-E 41.50 mm	6.20mm	NO

FLOYD ROSE ORIGINAL TREMOLO - EXPLODED VIEW



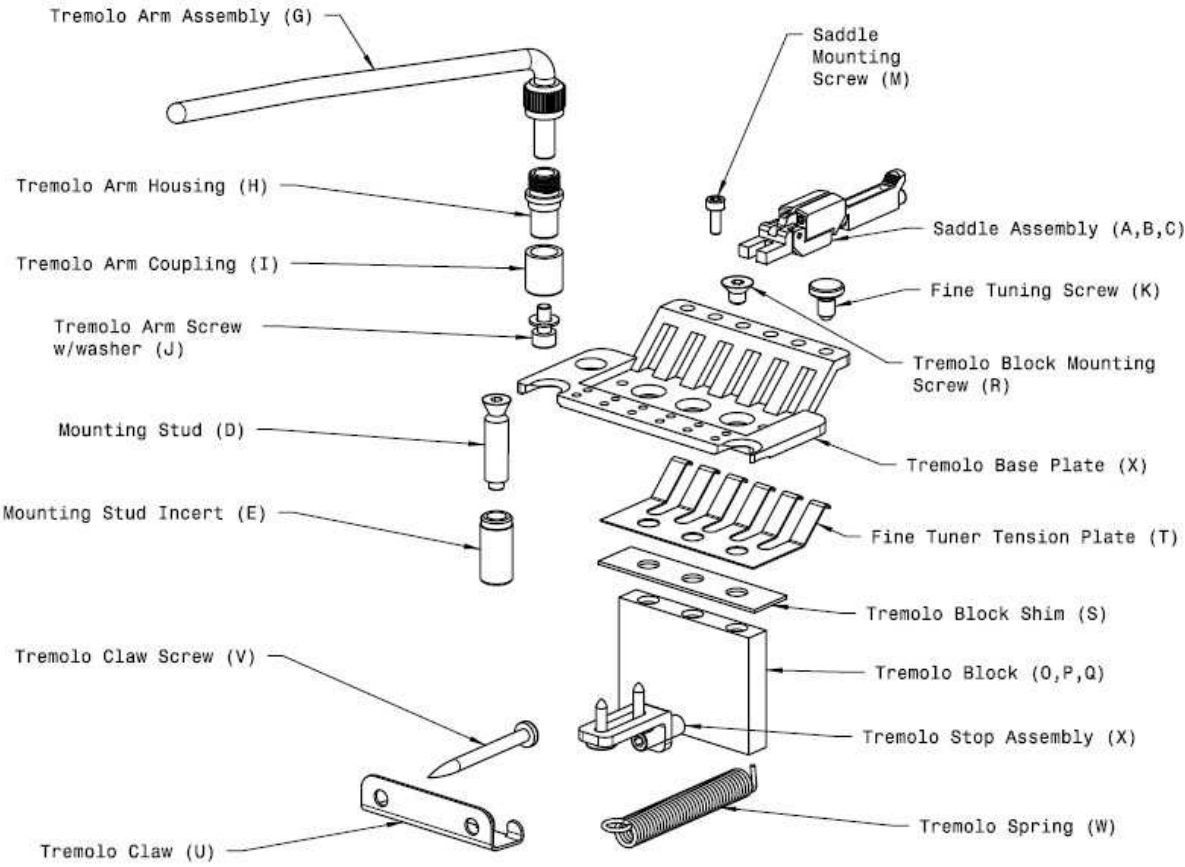
Floyd Rose Original Tremolo

FLOYD ROSE PRO TREMOLO - EXPLODED VIEW



Floyd Rose Pro Tremolo

FLOYD ROSE SPEEDLOADER TREMOLO - EXPLODED VIEW



SpeedLoader Tremolo